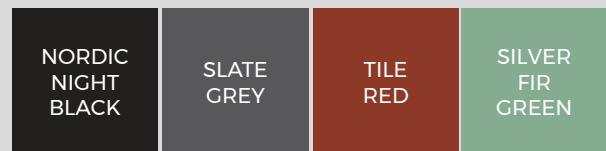


VERGE FLASHING

STANDING SEAM RANGE

Our standing seam verge flashings help you seal and protect the exposed edges of your standing seam roof, giving your building a cleaner, more weatherproof finish. Used alongside the 90° verge flashing backer plate, they prevent water ingress and strengthen the roofline where it needs it most. Each 3m long flashing is coated in durable GreenCoat® Pural BT steel, offering long-lasting resistance to scratches, corrosion and harsh weather.

COLOUR RANGE

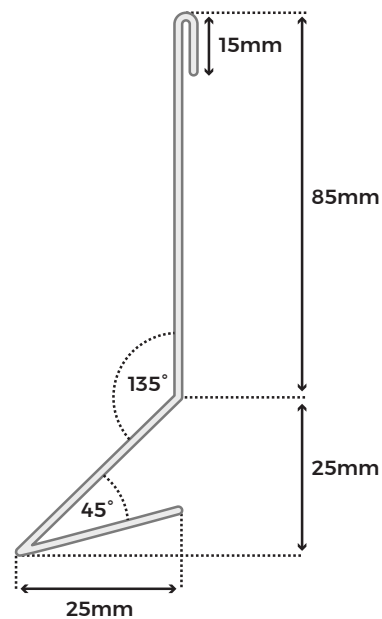


FLASHING SPECIFICATIONS

Length	3m
Dimensions	85mm x 25mm x 25mm
Thickness	0.7mm
External Finish	GreenCoat® Pural BT

TEST CERTIFICATIONS

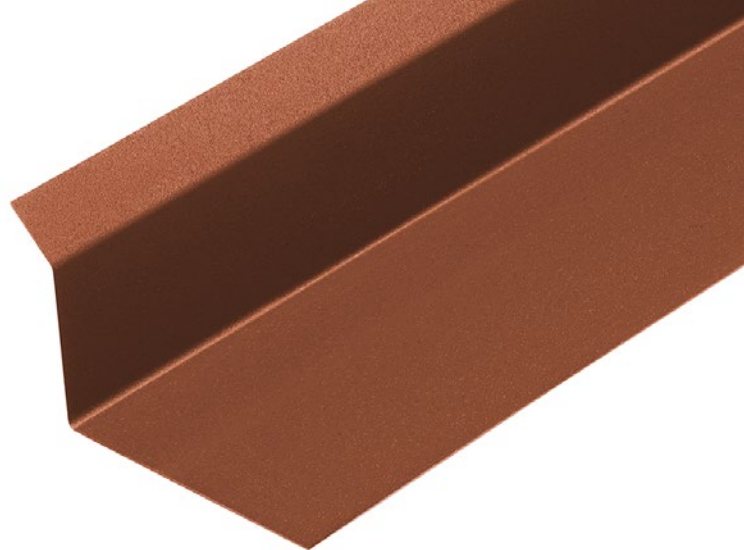
Fire Rating	Class A1 (BS EN 13501)
-------------	------------------------



Please Note: Images are for illustration purposes only. Actual products may vary slightly from those shown.

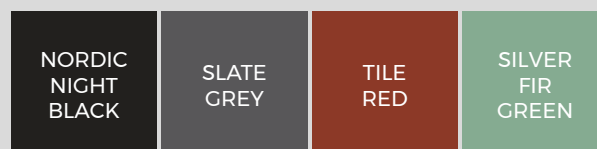
VERGE BACKER PLATE FLASHING

STANDING SEAM RANGE



Create a neat, secure finish along the edges of your standing seam roof with these practical 90° verge flashing backer plates. Designed to work alongside our 3m verge flashings, they help seal and protect exposed roof edges for a cleaner, weather-resistant result. With a durable GreenCoat® Pural BT finish and a reliable galvanised steel core, these backer plates offer strength, style and long-lasting performance.

COLOUR RANGE

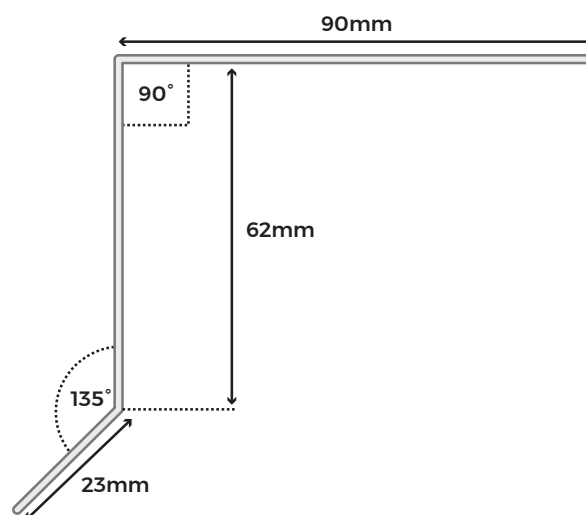


FLASHING SPECIFICATIONS

Length	3m
Dimensions	90mm x 62mm x 23mm
Internal Angle	90°
Thickness	0.7mm
External Finish	GreenCoat® Pural BT

TEST CERTIFICATIONS

Fire Rating	Class A1 (BS EN 13501)
-------------	------------------------



Please Note: Images are for illustration purposes only. Actual products may vary slightly from those shown.




GreenCoat® Pural Bt
Coating For Long-Lasting
Protection



AI Fire-Rated SSAB
Nordic Steel



Provides Added
Protection At Exposed
Roof Edges



Part Of A Seamless
Hidden-Fixing
Standing Seam
System



MATERIALS

Manufactured from 0.7mm SSAB Nordic steel with a GreenCoat® Pural BT coating for enhanced strength, rigidity, and performance.



SURFACES

The Pural BT coating provides excellent resistance to weathering, UV exposure, and surface scratching—ideal for long-term use.



ACCESSORIES

A full range of matching flashings is available to ensure a seamless, weatherproof, and professional finish for your installation.



LOW MAINTENANCE

GreenCoat® Pural BT provides a durable, low-maintenance finish, resisting dirt, fading, and corrosion for long-lasting visual and functional performance.



LONGEVITY

With a lifespan of up to 40 years in suitable conditions, the durable surface ensures lasting protection with minimal degradation over time.

STANDING SEAM VERGE FLASHING & BACKER PLATE FLASHING KIT SKU

GreenCoat® Pural BT, Nordic Night Black

SFMBLB-BP

GreenCoat® Pural BT, Slate Grey

SFMSLB-BP

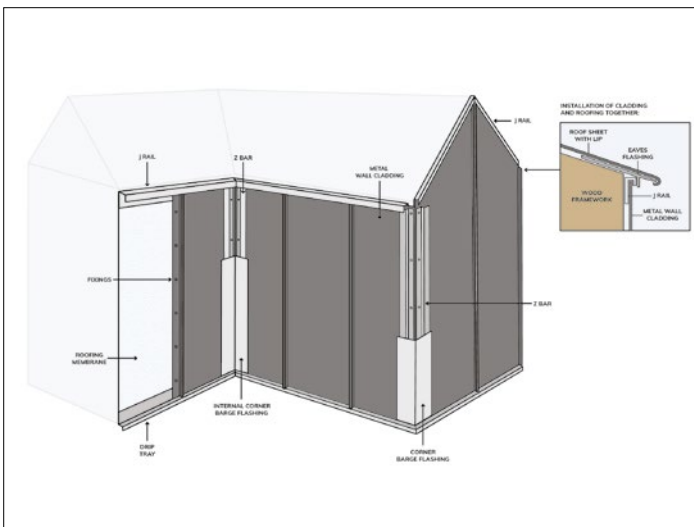
GreenCoat® Pural BT, Tile Red

SFMTRB-BP

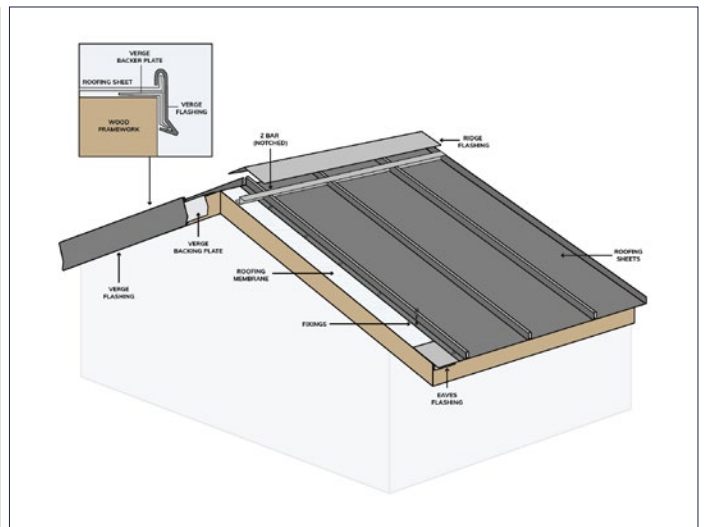
GreenCoat® Pural BT, Silver Fir Green

SFMFGB-BP

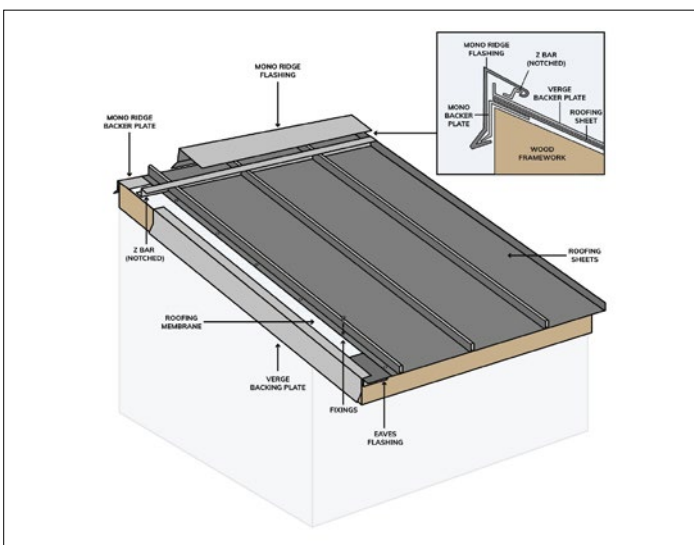
STANDING SEAM FLASHINGS



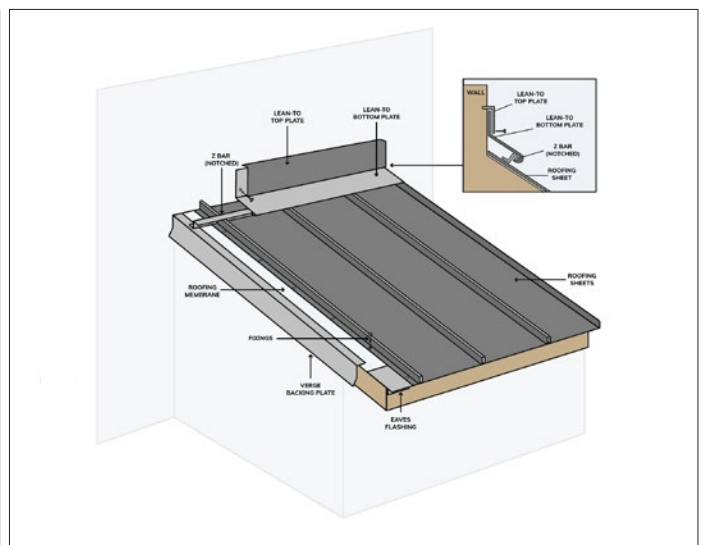
CLADDING WITH CABLE END



APEX ROOF



MONO PITCH ROOF



LEAN-TO ROOF

MADE IN BRITAIN

Cladco is a proud member of Made in Britain—the official collective mark for UK manufacturers who meet strict criteria for domestic production.

As part of this trusted network, we are licensed to use the Made in Britain trademark across our materials, highlighting our ongoing commitment to UK-based manufacturing, quality, and traceability.

This mark is more than just a symbol—it represents a national movement to support sustainable British industry, protect consumers, and champion local businesses. Only verified members can display the registered trademark, offering confidence that our products bearing the mark are genuinely made in Great Britain or Northern Ireland.



CUSTOMER BENEFITS OF BUYING FROM A MADE IN BRITAIN MEMBER

Trusted Quality, Recognised Nationwide

We're licensed to use the official Made in Britain trademark—giving you confidence that our products meet strict UK manufacturing standards and quality benchmarks. When you see the mark, you know you're buying trusted, UK-made goods.

Supporting British Industry & Local Jobs

By choosing Cladco, you're supporting ethical manufacturing, UK-based jobs, and transparent, traceable supply chains. These values matter—not just to us, but to customers who care about where and how their products are made.

Easier to Find, Easier to Trust

We're listed in the official Made in Britain Member Directory with live contact info, location pin, and verified branding—making it easier for customers and trade partners to connect with a trusted UK supplier.

Products Built to Last

The Made in Britain mark is your reassurance that our products are built with care, comply with UK regulations, and are made to perform. It's a symbol of quality and durability you can rely on.



www.cladco.co.uk

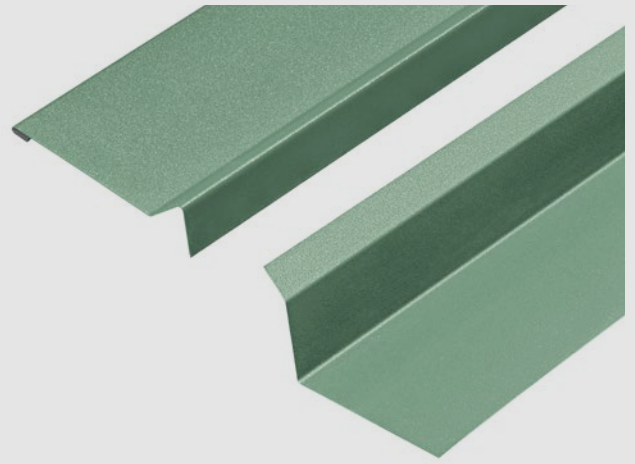
T: 01837 659901 E: info@cladco.co.uk

CLADCO
PROFILES®

GREENCOAT® PURAL BT

GreenCoat® Pural BT is a premium 0.7mm roofing finish offering outstanding resistance to UV, corrosion, and weathering. With excellent scratch resistance and formability—even down to -15°C—it supports year-round installation with ease.

This durable, bio-based coating is available in a range of attractive colours, including silver fir green and slate grey, allowing you to create a roof that complements its surroundings while delivering long-lasting performance.



GREENCOAT® PURAL BT COATING CHART

			
Tile Red RAL8004	Nordic Night Black RAL9005	Silver Fir Green RAL6021	Slate Grey RAL7016



QUALITY

Is a premium Swedish steel finish using bio-based technology. Offers excellent durability, corrosion protection and a low-gloss, tile-like appearance.



UV RESISTANCE

Highly UV-resistant. Maintains colour and surface integrity with minimal fading or chalking.



HEAT RESISTANCE

Performs well in hot or cold climates. Coating remains stable under sustained temperature extremes.



DURABILITY

Pural BT offers high levels of durability with a robust matte finish. The bio-based coating resists mechanical wear and scratching better than standard polyester paint.



LONGEVITY

Low-maintenance coating with a service life exceeding 40 years. Often outlasts plastisol in long-term performance.

GREENCOAT® PURAL BT - TECHNICAL OVERVIEW

GreenCoat® Pural BT is a premium, bio-based coated steel designed for superior performance in roofing and cladding applications. Manufactured to EN 10169 standards and fully chromate-free, this coating uses Swedish rapeseed oil and other renewable raw materials to deliver exceptional sustainability alongside durability.

This high-performance steel provides RC5+ corrosion resistance, RUV5 UV protection (Matt), and a fire classification of A1 s1 d0, making it ideal for projects demanding long-term reliability. Its excellent scratch resistance (up to 40N) and ability to fold at temperatures down to -15°C ensures easier, year-round installation.

The newly developed Satin finish offers a contemporary look (gloss 20) while maintaining the same strength and weather resistance as the Matt, Metallic, and Regular ranges.



KEY TECHNICAL PROPERTIES

Property	Matt	Metallic	Satin	Regular
Gloss Level	<5	40	20	40
Corrosion Resistance	RC5+	RC5+	RC5+	RC5+
UV Resistance	RUV5	RUV4	RUV4-5	RUV4
Fire Classification (EN13501-1)	A1 s1 d0	A1 s1 d0	A1 s1 d0	A1 s1 d0
Scratch Resistance	40N	35N	40N	40N
Lowest Forming Temperature	-15°C	-15°C	-15°C	-15°C
Coating Thickness	50µm	45µm	50µm	50µm
Steel Grades	S280GD, S320GD, S350GD, DX51D			
Zinc Coating	275 g/m ²			
Available Widths	1000-1500mm (Metallic max 1420mm)			



Reverse Side Coating

Two-layer grey coating for improved corrosion protection and adhesion.



Protective Film

Optional film for installation protection; remove within six months of manufacture or one month post-installation.



Sustainability

Manufactured with bio-based technology, reducing environmental impact without compromising performance.

INSTALLATION GUIDES

Correct installation is key to a long-lasting, weather-resistant finish. Our easy-to-follow guides walk you through each step—from sheet alignment and fixing methods to correct flashing placement.

Whether you're a first-time DIYer or a seasoned tradesperson, our Help & Advice section provides the confidence and clarity you need to complete your project properly.

Click the links to access:

- [Standing Seam Installation Guide](#)
- [Roofing Help & Advice](#)

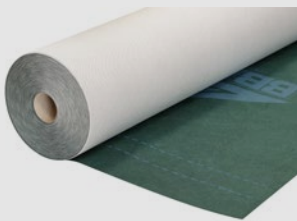


[STANDING SEAM
INSTALLATION GUIDE](#)



[ROOFING HELP
AND ADVICE](#)

PRODUCT ACCESSORIES



**BREATHABLE
MEMBRANE**



**CLADCO HIGH STRENGTH
ADHESIVE SEALANT**



**PURAL BT
TOUCH UP PAINT**



**SAFETY
GLOVES**



**FOAM
FILLERS**



**STANDING SEAM
TOOL KIT**



**LOW PROFILE
SCREWS**



**ANNULAR RING
NAILS**