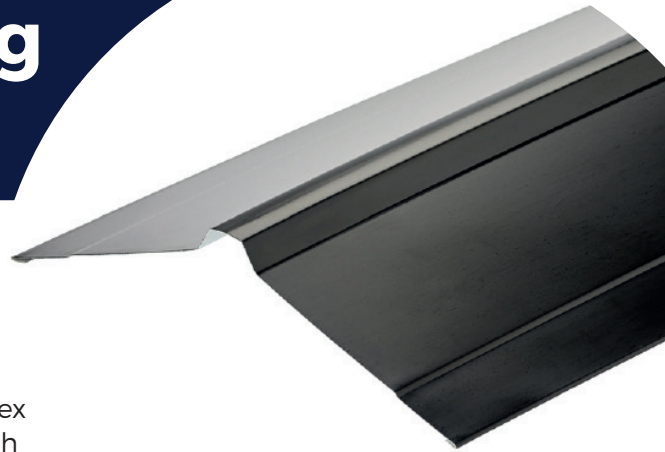


# Nordic Ridge Flashing Polyester Paint 3m



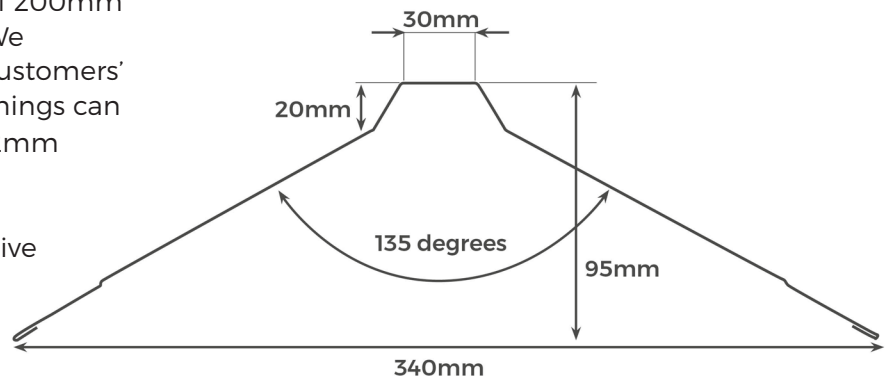
Ridge Flashings are used at the apex of the roof to join the two sides together. Cladco Polyester Paint Coated Flashings are folded to a 135-degree internal angle and will flex 10-15 degrees either way, depending on the angle of your roof. Metal Ridge Flashings are a major component in any profiled clad apex roof and are available in a range of colours and finishes to match our Roofing Sheets.

Cladco Polyester Paint Nordic Ridge Flashings are made in lengths of 3m and are available in five colours to match Polyester Paint Coated Sheets.

Each Nordic Ridge has an internal angle of 135 degrees. Flashings include a 5mm safety welt on both sides to increase the strength and finish of the material. Coverage per wing is approximately 190mm.

Custom angles can be specified using our Custom-Made Flashings service. When installing these Flashings, allow a minimum overlap of 200mm from one Flashing piece to the next. We manufacture a variety of Flashing to customers' requirements in 3-metre lengths. Flashings can be fixed to the roofing sheets using 22mm Stitcher Screws.

**Please note:** Nordic Ridge Flashings give a 190mm x 190mm coverage due to 5mm safety welt.



SPECIFICATIONS	
Length	3 metres
Sizes available	195mm x 195mm
Angle	135° internal angle
Overlap	Allow 200mm
Colours available	Black, Juniper Green, Slate Blue, Light Grey & White

**PLEASE NOTE** – Extra care should always be taken when handling metal sheets and flashings we advise using the correct type of Glove when handling or moving metal sheets and flashings.

