

# EUROSIX Big 6 Adjustable Inner/ Outer Close Fitting Ridge



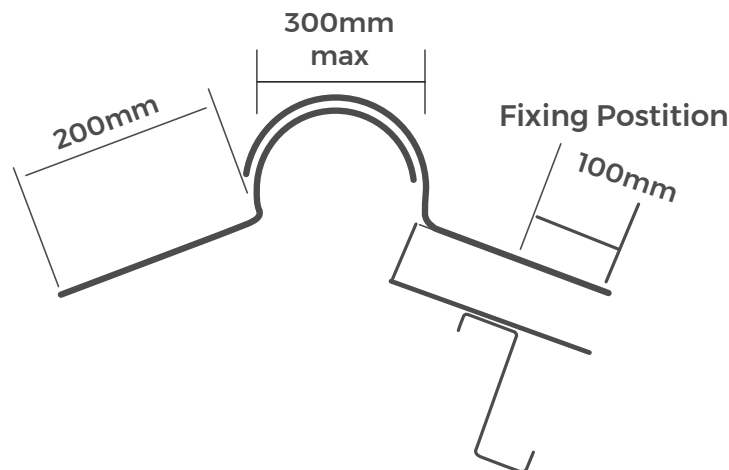
EUROSIX Big 6 inch Adjustable Inner/Outer Close Fitting Ridge Flashings are designed for improved ventilation and water absorption for reducing condensation.

Applications include agricultural, industrial, domestic and commercial, as well as roofing and cladding. This type of sheeting benefits from increased sound proofing and insulation properties.

EUROSIX Fibre Cement Adjustable Close Fitting Ridge Flashing are available in a 1086mm length, with an adjustable angle for roofing and cladding applications. EUROSIX Fibre Cement Adjustable Close Fitting Ridge Flashing can be installed between a 10° pitch and up to a 30° pitch.

SPECIFICATIONS	
Profile	6-inch corrugations
Length	1086mm
Gauge Thickness	6.8mm
Weight	5.8kg / each
Colour	Natural Grey

Fibre Cement Adjustable Inner/Outer Close Fitting Ridge Flashings are durable and long-lasting, requiring little to no maintenance through their lifespan. Flashings are rust, corrosion and rot-resistant.



**PLEASE NOTE** - We advise using the correct type of glove (with level 5 cut resistance) when handling or moving steel Sheets and Flashings. Extra care should always be taken when working with metal products.



01837 659901 [info@cladco.co.uk](mailto:info@cladco.co.uk)  
[www.cladco.co.uk](http://www.cladco.co.uk)

Beardown Road, Exeter Road Industrial Estate, Okehampton EX20 1UA

